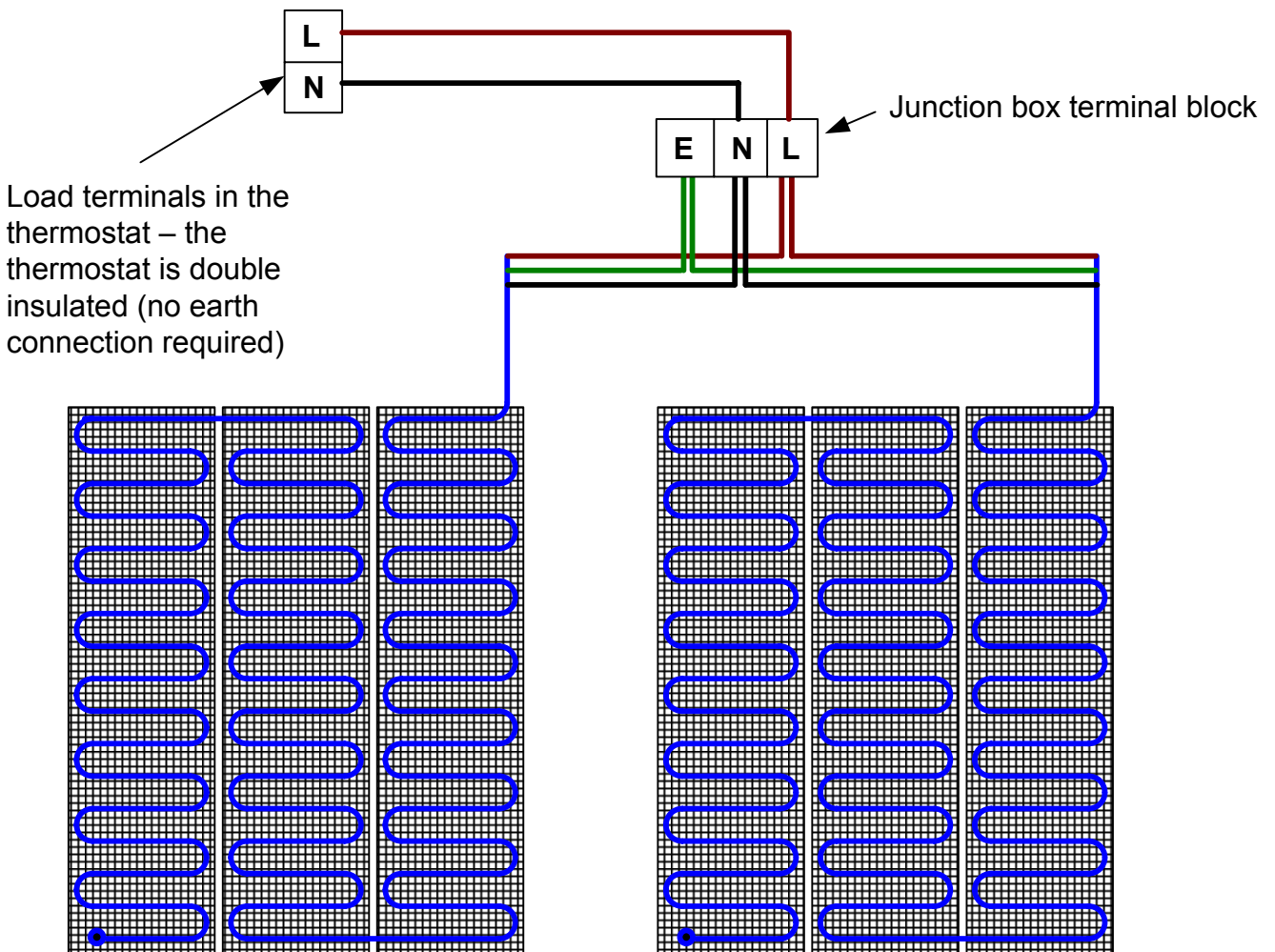


A floor heating system from ELTRACE will ensure a uniform distribution of heat in your home or office, and a comfortable warmth which is easy to control room by room. The ELTRACE wide range of cables & heating mats are designed for both renovation and New Build applications.



This diagram shows how two RFM mats are wired together electrically in parallel (never cut the heating element). **All wiring and protection to comply with BS7671 - 2008**

The Eltrace RFM undertile heating mat range is available in two versions :-
150w/m² and a 200w/m² version for conservatory floors and rooms with a higher heat loss

Tel: 01254 825 234
Fax: 01254 825 212

Email: sales@eltrace.co.uk
Web site: www.eltrace.co.uk